

INSTALLATION INSTRUCTIONS

GL1800 HIGH PERFORMANCE DRIVING/LED FOG LIGHTS

2001-2005 PART NO. FG105 (NON-AIRBAG)

2006-2010 PART NO. FG610 (WITH AIRBAG)

PATHFINDER L.E.D.[®]

"Riding at Night has Never Been Brighter"




STOP! IF YOU NEED SERVICE OR SUPPORT – DO NOT RETURN PRODUCT TO STORE
FOR SERVICE / SUPPORT CONTACT: Service@SoCalMotoGear.com

Congratulations on your purchase!

This product is intended for aftermarket use and have been fit checked on stock, non-modified OEM motorcycles. As with any aftermarket products, there may be some slight modifications required. If you are not comfortable with any installation steps, please consult a qualified motorcycle technician to perform the work. Always allow lights to cool down before touching them.

Non U.S. Motorcycles: This kit may not be Plug 'N Play on non U. S. spec motorcycles.

PARTS LIST	QTY	EACH MODEL IS AVAILABLE IN :
LED FOG LIGHT	2	<ul style="list-style-type: none">• BLACK• CHROME
RIGHT MOUNTING BRACKET (AFFIXED)	1	
LEFT MOUNTING BRACKET (AFFIXED)	1	 PRE - INSTALLATION REMINDERS: A. IMPORTANT – Place motorcycle on center stand and always perform work in a well-ventilated area. B. Watch our Installation Video: www.SoCalMotoGear.com/FGvideo C. To download/view the complete manual, please visit: www.SoCalMotoGear.com/FGmanual
4MM SPACER	1	
16MM SPACER	2	
20MM SPACER	1	
35MM SCREW	3	
50MM SCREW	3	
M6 WASHER (flat)	6	
ZIP TIE	3	
ON/OFF SWITCH	1	
JUMPER	1	
*RELAY HARNESS (DEPENDING ON YOUR MODEL, 1 MAY BE INCLUDED)		

****PLEASE READ THIS REFERENCE SHEET THOROUGHLY BEFORE STARTING INSTALLATION****

Please obey all state and local laws regarding the use of additional lighting.

IMPORTANT

MOTORCYCLE SETTINGS: The memory settings of the suspension system, trip meter, clock, and radio will be lost when disconnecting the negative battery cable. Reset your settings after reconnecting the battery. Upon completion of the installation, be sure to check that all components are working properly by doing a thorough inspection before riding.

WARRANTY: We will replace a unit under warranty due to LED failure. Warranty does not cover condensation as this could be a result of riding in different weather conditions. Please see product page at SoCalMotoGear.com for additional details. International customers outside of the U.S., please contact your local dealer.

INSTALLATION PREPARATION:

- Place motorcycle on center stand.
- Disconnect the negative cable from the battery.
- Remove the lower front cowl following your service manual instructions.
Secure all wiring away from any moving parts or extreme heat with zip ties.
- [Skip this step if you currently have fog lights installed.]** Remove your existing lights.
Using cutters, remove the plastic knockouts from the lower front cowl and smooth edges with a Dremel[®] or file.

NOTE: Right side of bike is the throttle side; left side is the clutch side.

...continued

Installation Instructions For PathFinderLED® GL1800 High Performance Driving/LED Fog Lights

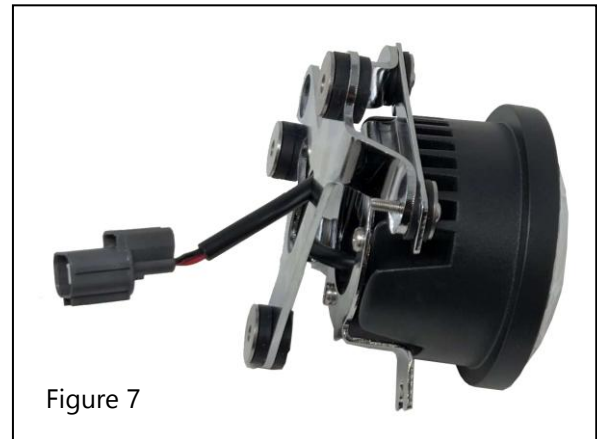
NOTE: Read instructions thoroughly before installing.

STEP 1. Locate Right and Left FOG LIGHT with the affixed mounting brackets.

[Markings can be found on the light/mounting brackets: "L" left and "R" right.]

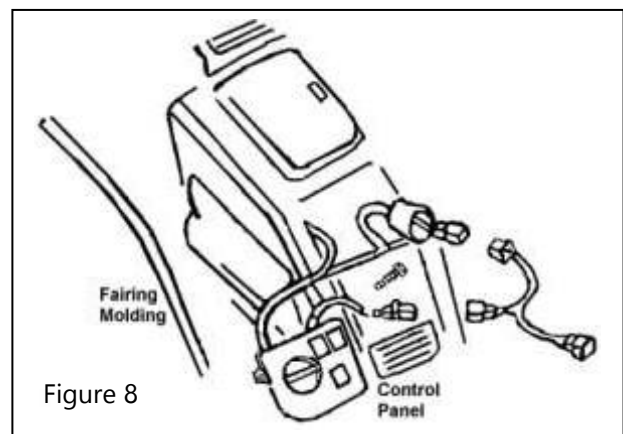
STEP 2. Using 8mm wrench, remove right side plastic trim piece.

- [Figure 6] Install right fog lamp using three M6 x 35mm screws, flat washers, 4mm spacers (for 2001 – 2005 models), and plastic trim piece.
- [Figure 7] Plug the 2-pin gray connector into the motorcycle 2-pin gray connector.



STEP 3. Install left light using three M6 x 50mm screws, flat washers, a 16mm spacer for the top and the side screws, one 20mm spacer on the bottom screw.

STEP 4. [Figure 8] Remove left side fairing trim molding.



...continued

STEP 5. [Figure 9] Remove Allen screw and remove left control panel.

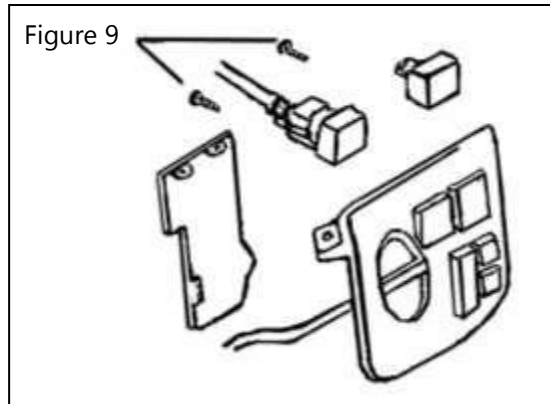
STEP 6. [Figure 9] Remove switch cover on back of control panel.

STEP 7. Remove two screws holding switch cover to control panel.

STEP 8. Install the switch using the screws removed in the previous step.

STEP 9. Plug the 4-pin switch connector into the jumper. Plug the jumper into the motorcycle's accessory black 4-pin connector.

NOTE: This kit comes with a jumper plug. When the jumper plug is used, the fog lights will only turn off with the switch. This kit does not come with a relay plug. Check with local laws for light operation.



STEP 10. Before installing all components check to make sure the lights work and that they are aimed correctly. To check that they are aimed correctly, make sure the bike is level and approximately 16 ½ feet from a wall. Then measure from the ground to the center of fog lamp, and make a mark on the wall to that measurement. If the lights need adjustment you can screw in or out the adjustment screw on each mounting bracket. See additional details and diagram below:

<p>LIGHTING ADJUSTMENT RECOMMENDATION:</p> <ol style="list-style-type: none">1. Measure the height from the ground to the center of driving/fog light.2. Using a pencil, make a mark of the driving/fog light mounting height on the wall.3. Screw in or out the adjustment screw on each mounting bracket to aim the driving/fog light.4. Re-install the front lower cowl in the reverse order of removal.	
-------------------------------------------------------------------------------------------------------------------------------------------------------------------------------------------------------------------------------------------------------------------------------------------------------------------------------------------------------------------------------------------------------------------------------------------------------------	--

Installation is now complete.

<p>BASIC TROUBLESHOOTING: LEDS "NOT ON" , "ONLY HALF THE LIGHTS ARE ON" , " BARELY ON / DIM LIGHTS"</p> <ul style="list-style-type: none">• WEAK BATTERY: CONFIRM THAT THERE IS ENOUGH POWER IN YOUR MOTORCYCLE BATTERY.• START THE ENGINE: CONFIRM THAT THE LIGHTS ARE WORKING PROPERLY AFTER YOU START THE MOTORYCLE ENGINE IN A WELL VENTILATED AREA. <p>If you have any other concerns/comments and would like to reach us, please email : service@socalmotogear.com</p>

Disclaimer: Please follow the instructions and use care and proper judgment when installing this product. Maximum liability is limited to the purchase price of the product sold. Visit SoCalMotoGear.com for additional warranty information.